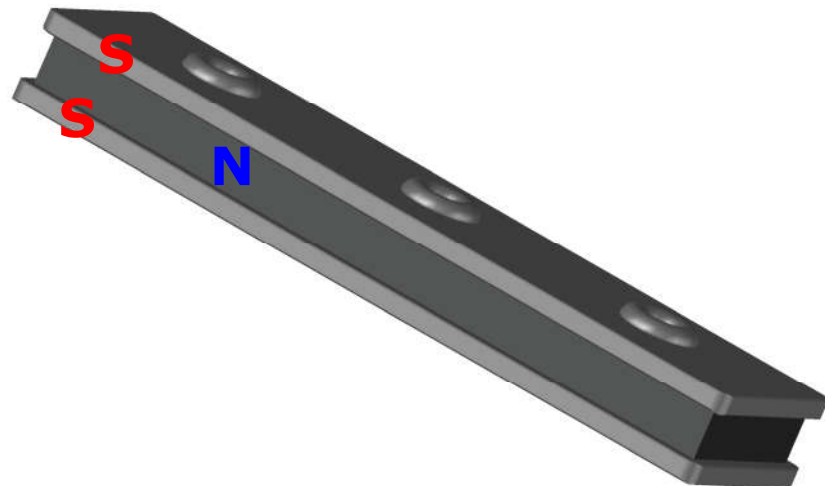
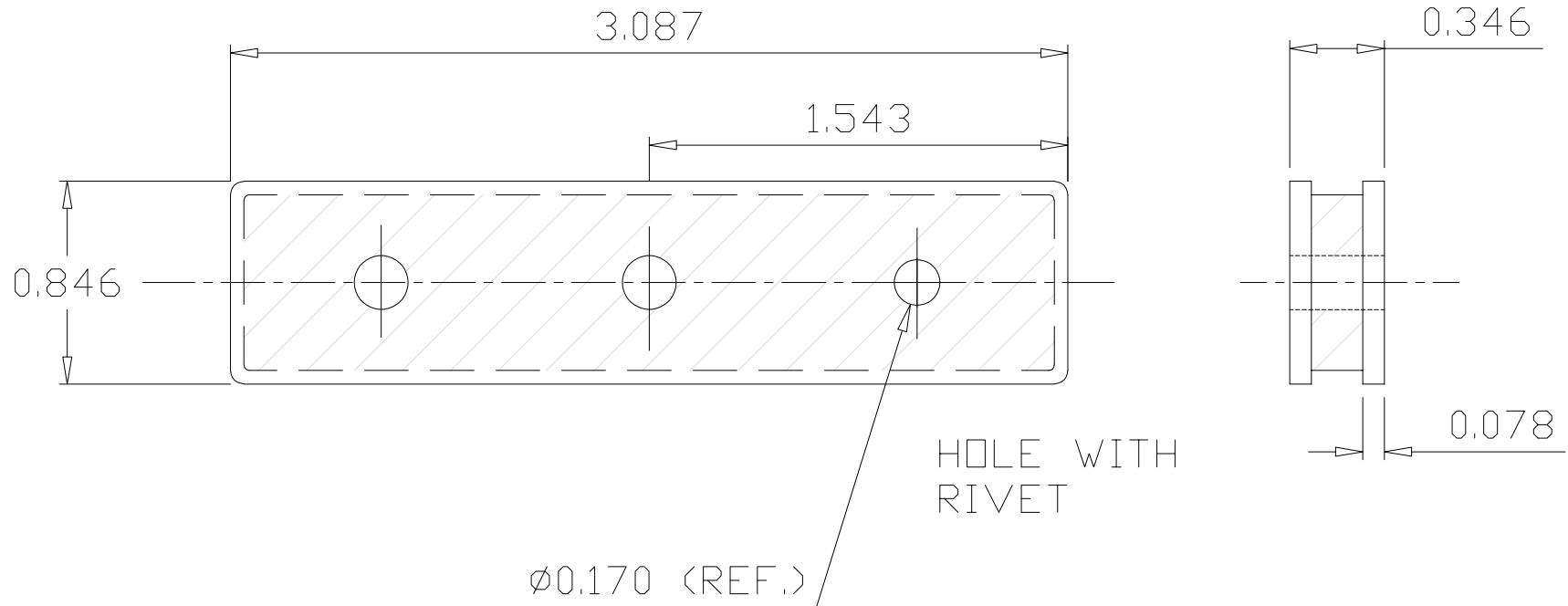


65E0001

Revision 4



Specifications:

- 1) Rubber magnet
- 2) Commercial nickel plated steel plates
- 3) Magnet and plates are riveted.
- 4) Pull pounds: 35 lbs typical (Tested on a clean, ground steel plate 0.375" thick)
- 5) Working temperature range: $-40^{\circ}\text{C} \sim 100^{\circ}\text{C}$
- 6) All dimensions are inches

ADAMTS
MAGNETIC PRODUCTS