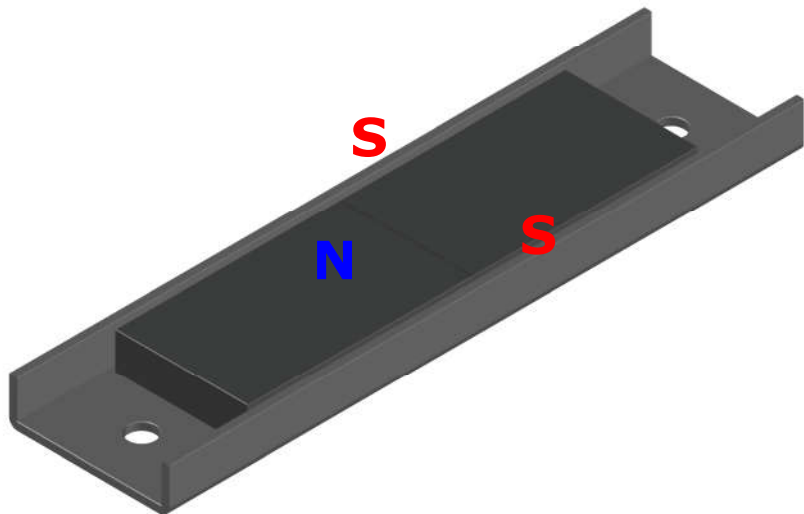
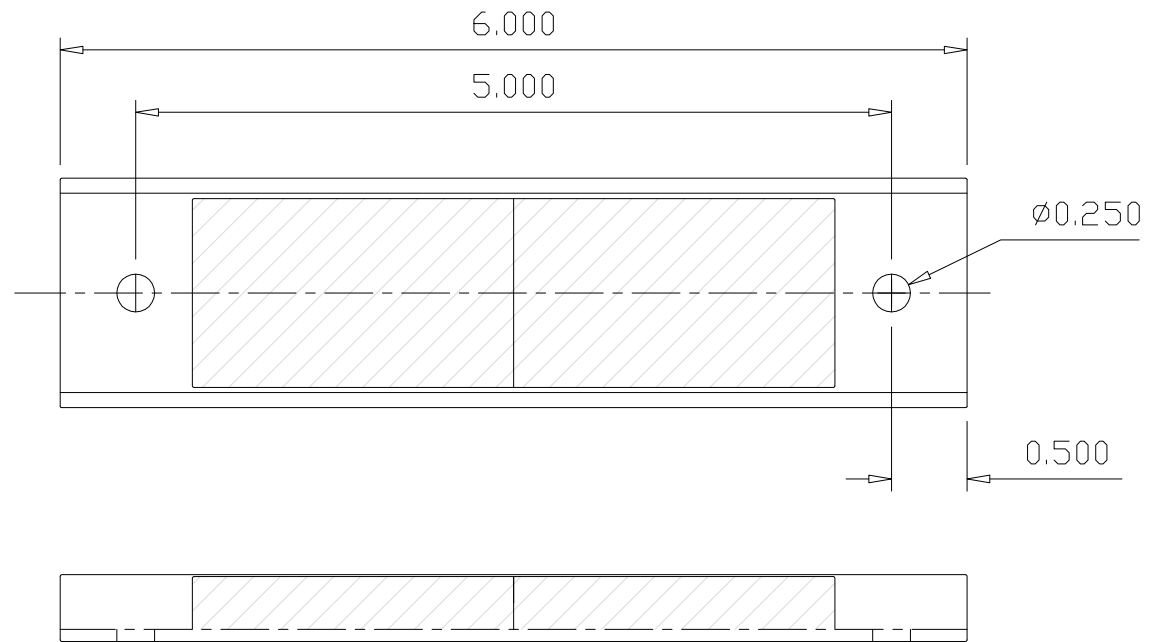
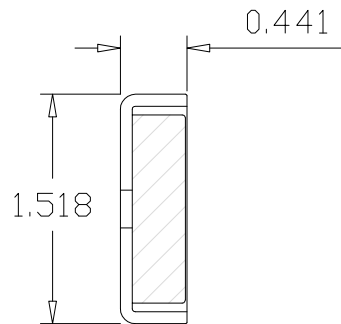


65CM0001

Revision 2



Specifications:

- 1) Ceramic-8 magnet blocks
- 2) Zinc coated steel channel
- 3) Magnet surface lower than that of channel 0.005"
- 4) Pull pounds: 100 lbs typical (Tested on a clean, ground steel plate 0.375" thick)
- 5) All dimensions are in inches
- 6) Working temperature range: $-40^{\circ}\text{C} \sim 100^{\circ}\text{C}$

ADAMTS
MAGNETIC PRODUCTS