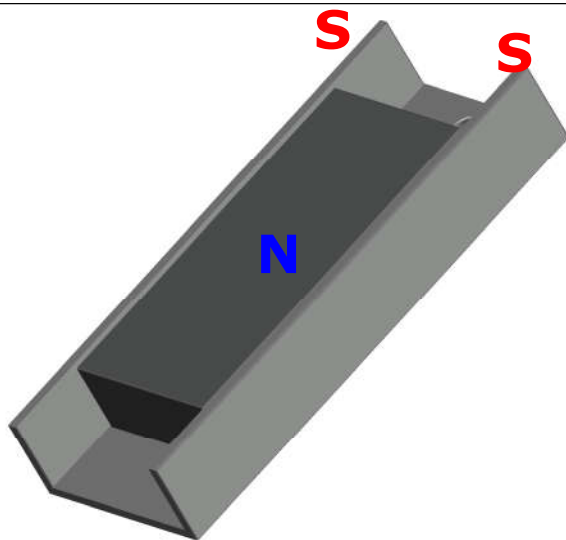
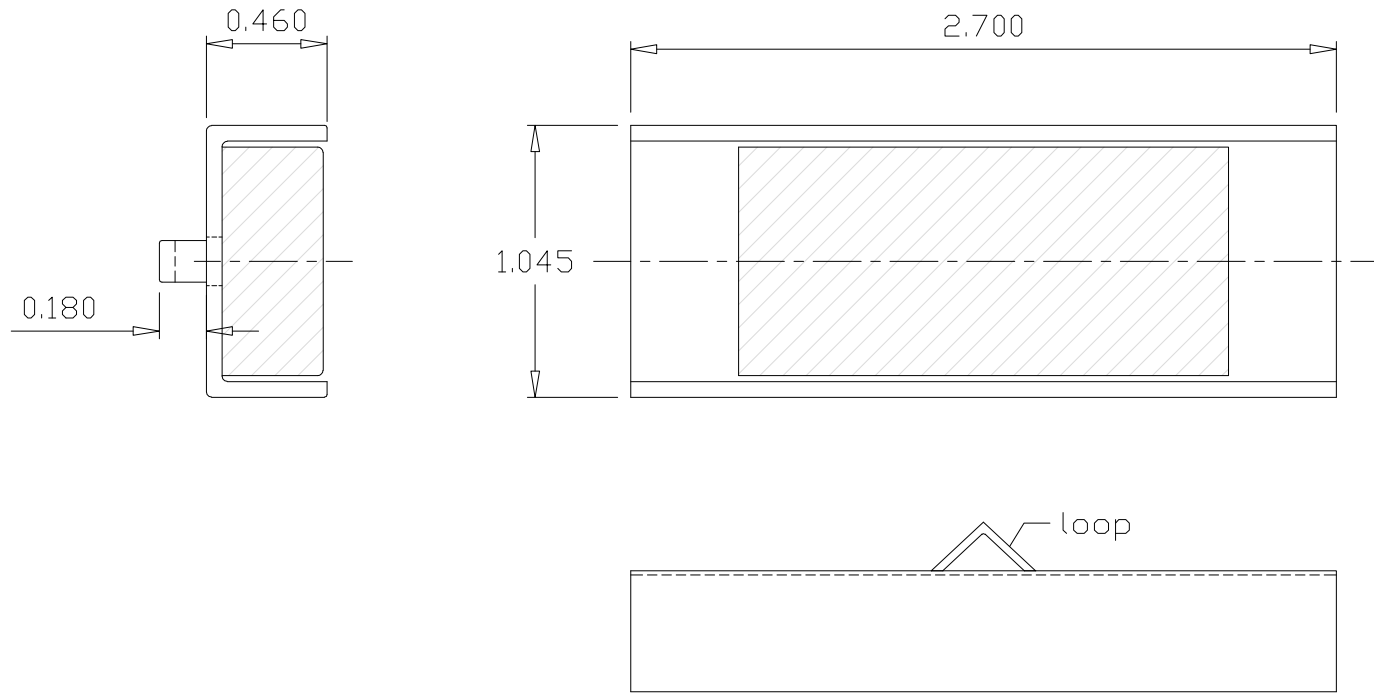


65CJ0002

Revision 1



Specifications:

- 1) Ceramic-5 magnet
- 2) White-blue Zinc plated steel channel
- 3) Magnet and channel is glued.
- 4) Pull pounds: 25 lbs typical (Tested on a clean, ground steel plate 0.375" thick)
- 5) Working temperature range:-40°C~100°C
- 6) All dimensions are inches