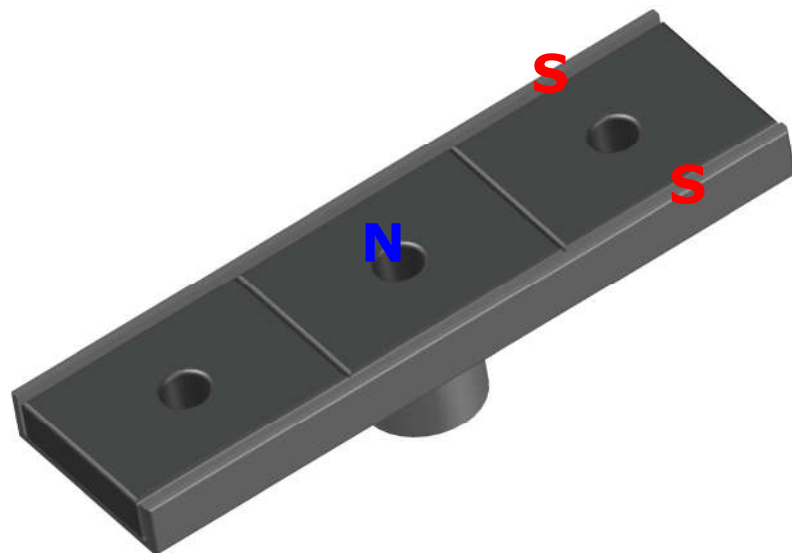
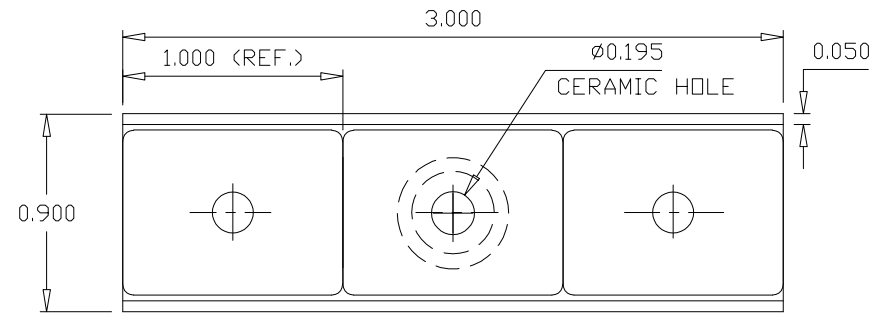
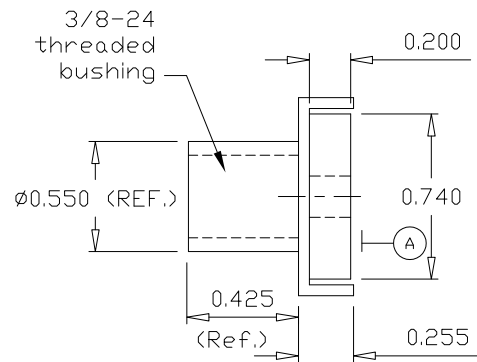


65CI0016

Revision 2



Specifications:

- 1) Ceramic-5 magnet
- 2) Nickel plated steel channel
- 3) Magnets and channel are glued.
- 4) Pull pounds: 22 lbs typical. (Tested on a clean, ground steel plate 0.375" thick)
- 5) Working temperature range: -40°C - 80°C
- 6) All dimensions are inches

ADAMIS
MAGNETIC PRODUCTS