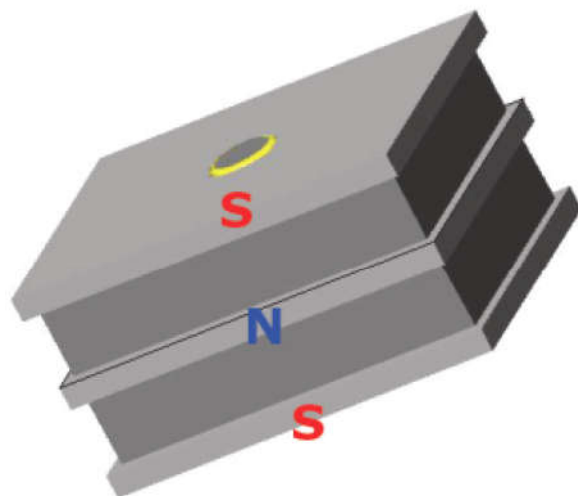
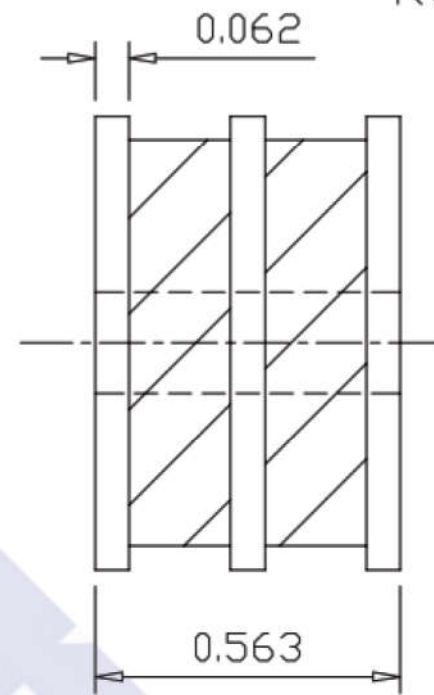
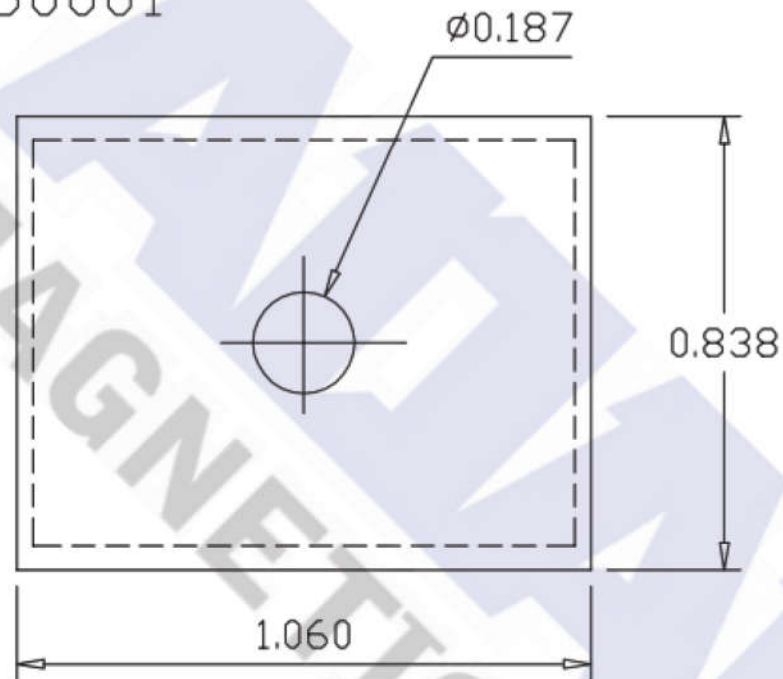


65CB0001

Revision 2



Specifications:

- 1) Ceramic-5 magnet
- 2) Nickel plated steel plates
- 3) Magnets and plates are glued.
- 4) Pull pounds: 15 lb **typical** (Tested on a clean, ground steel plate 0.375" thick)
- 5) Working temperature range: -40°C~100°C
- 6) All dimensions are inches