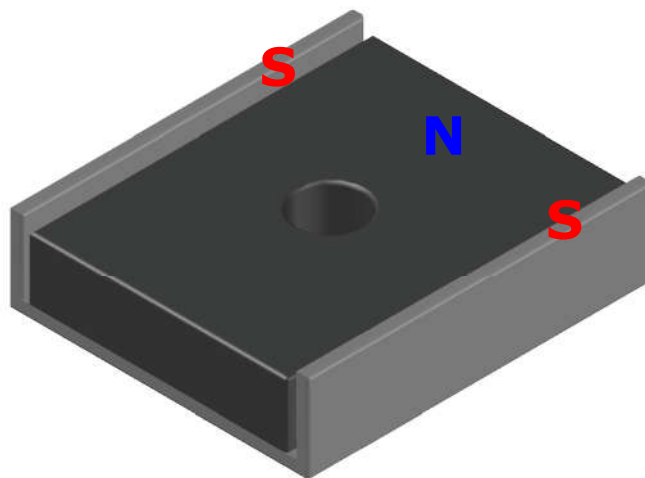
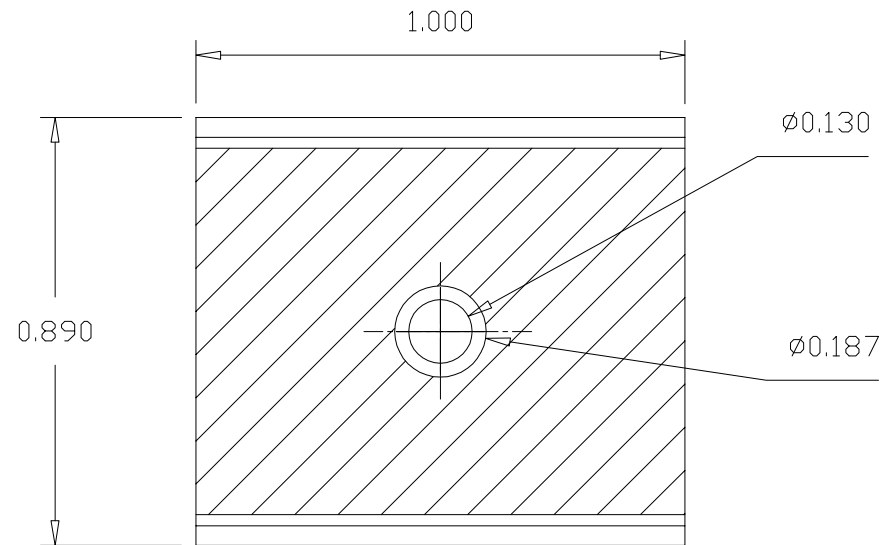
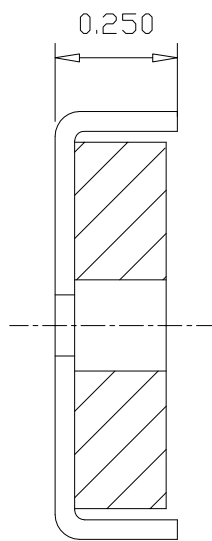


65CA0001

Revision 2



Specifications:

- 1) Rubber magnet block with a hole
- 2) Commercial nickel plated C.R. steel channel
- 3) Magnet surface lower than that of channel 0.005"
- 4) Pull pounds: 5 lbs typical (Tested on a clean, ground steel plate 0.375" thick)
- 5) Magnet glued to channel
- 6) Working temperature range: -40°C~100°C
- 7) All dimensions are inches

ADAMIS
MAGNETIC PRODUCTS