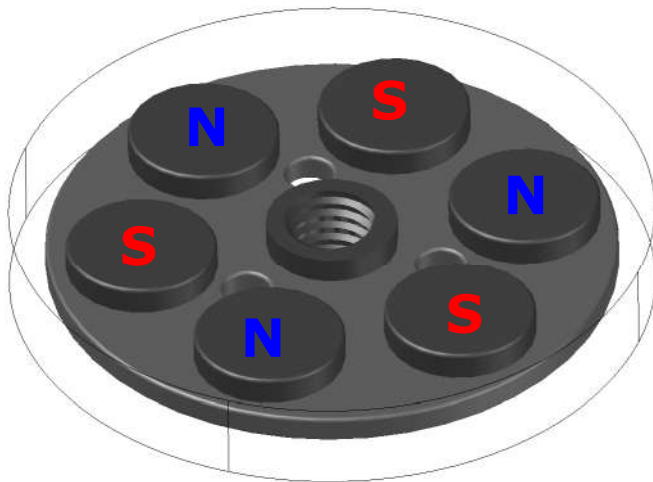
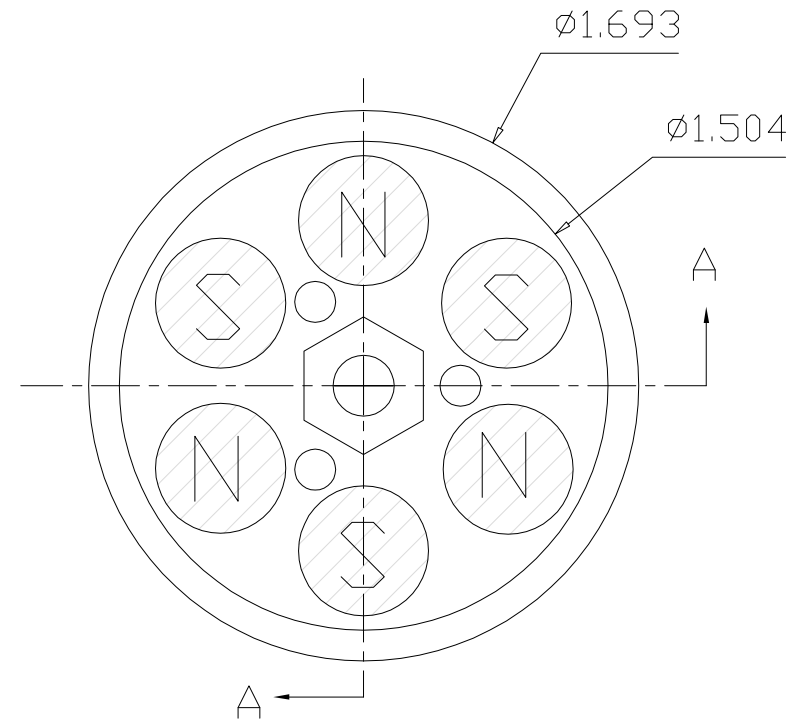
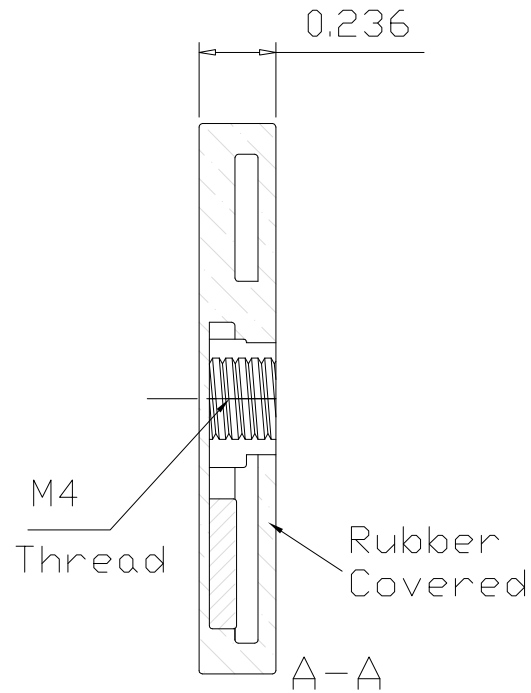


64RBF045

Revision 3



Specifications:

- 1) Entire assembly rubber covered
- 2) Commercial nickel plated steel and neo magnets
- 3) Pull pounds: 20 lbs typical (Tested on a clean, ground steel plate 0.375" thick)
- 4) Working temperature range: -40°C ~ 80°C
- 5) All dimensions are inches