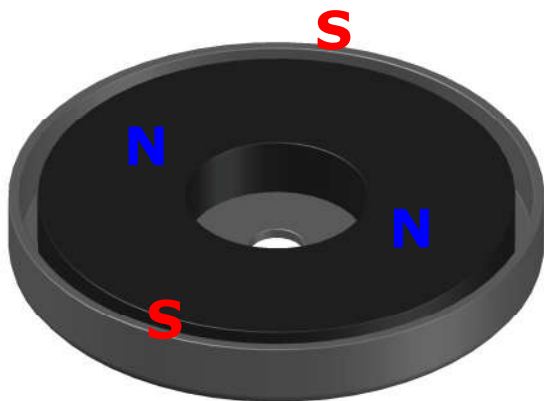
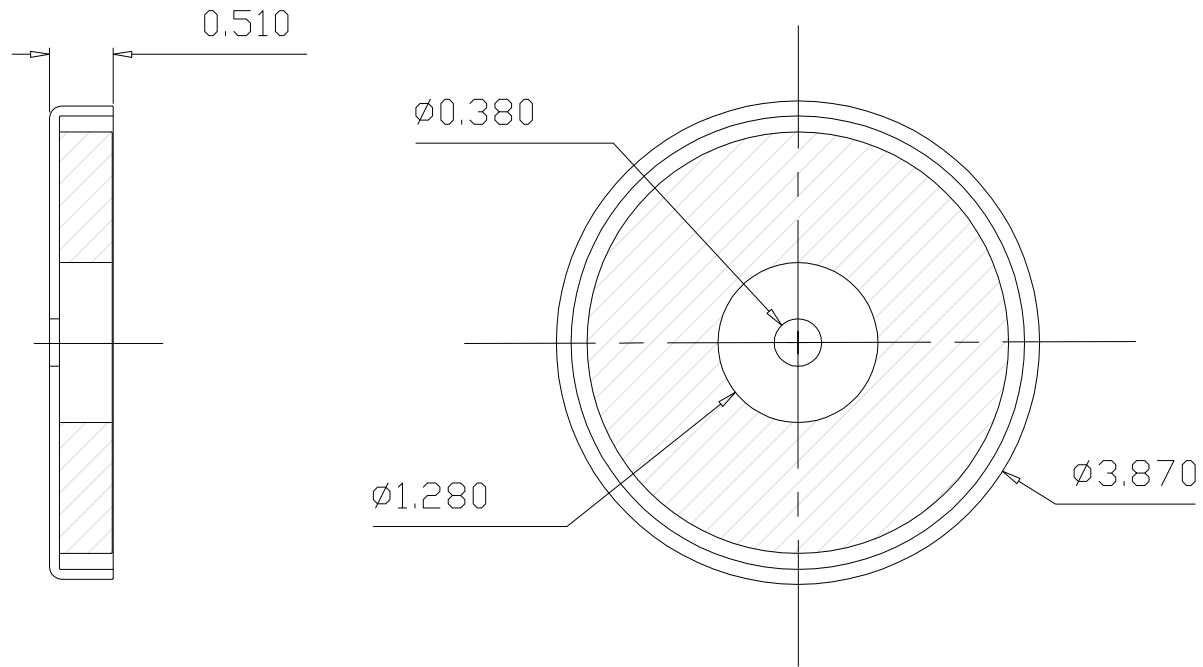


64I0007

Revision 4



Specifications:

- 1) Ceramic-5 magnet ring
- 2) Chrome coated steel cup
- 3) Magnet surface lower than that of cup 0.005"
- 4) Pull pounds: 120 lbs typical. (Tested on a clean, ground steel plate 0.375" thick)
- 5) All dimensions are in inches
- 6) Working temperature range: $-40^{\circ}\text{C} \sim 100^{\circ}\text{C}$

ADAMTS
MAGNETIC PRODUCTS