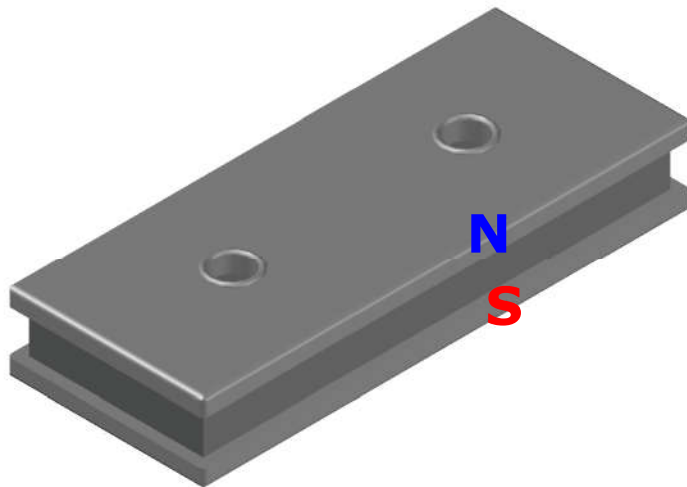
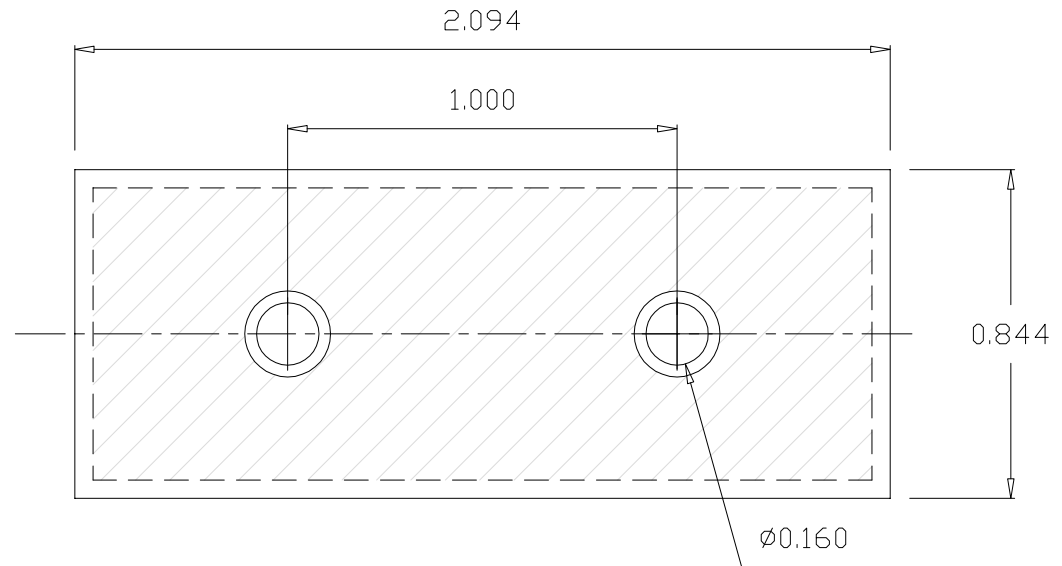
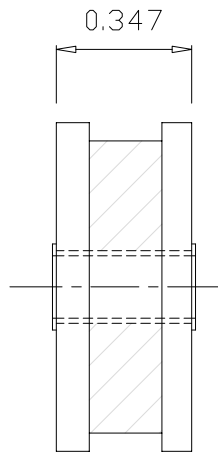


62DC0001

Revision 3



Specifications:

- 1) Flexible magnet
- 2) Nickel plated steel plates
- 3) Magnet and plates are assembled with rivets
- 4) Pull pounds: 25 lbs typical. (Tested on a clean, ground steel plate 0.375" thick)
- 5) Working temperature range: -40°C - 80°C
- 6) All dimensions are inches

ADAMIS
MAGNETIC PRODUCTS