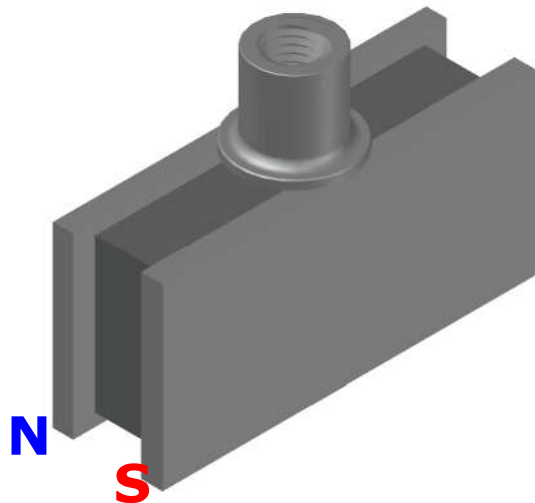
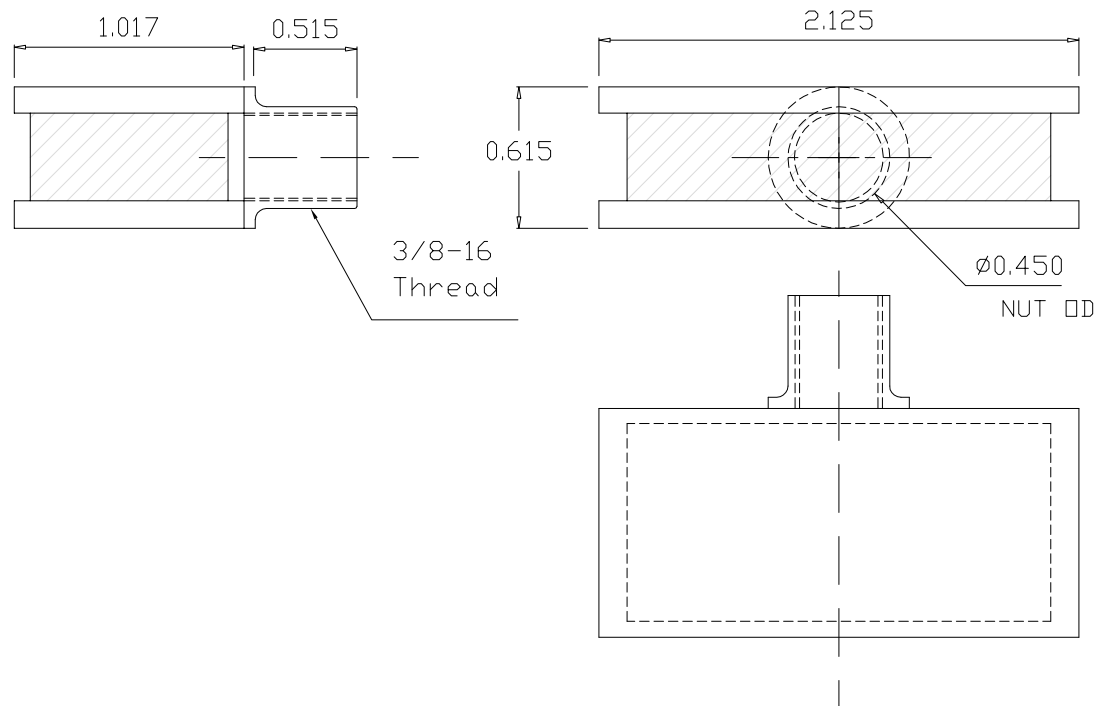


62CZ0001

Revision 2



Specifications:

- 1) Ceramic magnet
- 2) Steel plates with held nut
- 3) Magnet and plates are glued.
- 4) Pull pounds: 50 lbs typical. (Tested on a clean, ground steel plate 0.375" thick)
- 5) Working temperature range: -40°C~100°C
- 6) All dimensions are inches

ADAMS
MAGNETIC PRODUCTS