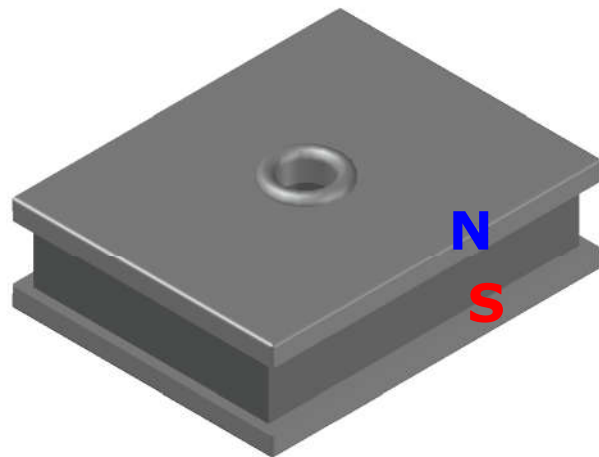
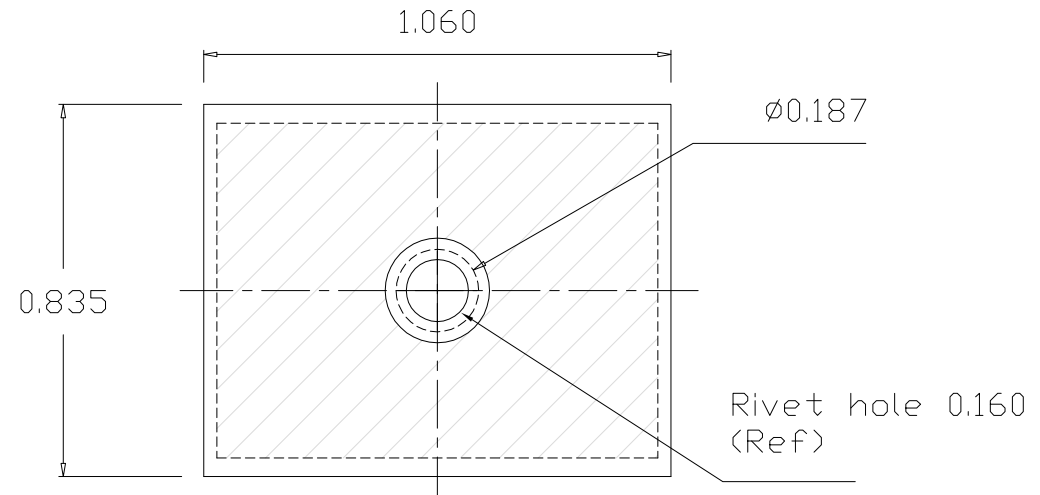
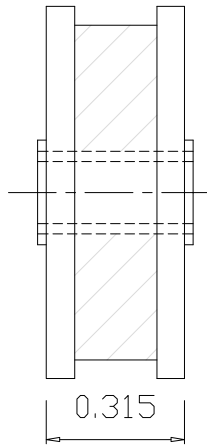


62CA0001

Revision 3



Specifications:

- 1) Flexible magnet
- 2) Nickel plated c.r. steel plates
- 3) Magnet and plates are assembled with rivets
- 4) Pull pounds: 10 lbs typical. (Tested on a clean, ground steel plate 0.375" thick)
- 5) Working temperature range: $-40^{\circ}\text{C} \sim 100^{\circ}\text{C}$
- 6) All dimensions are inches

ADAMIS
MAGNETIC PRODUCTS