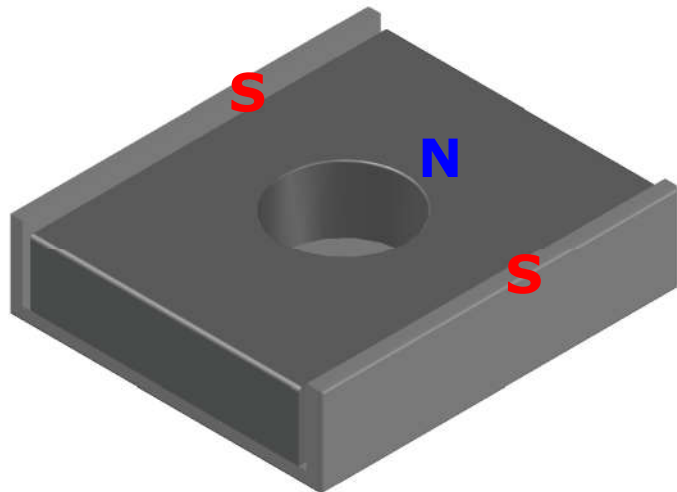
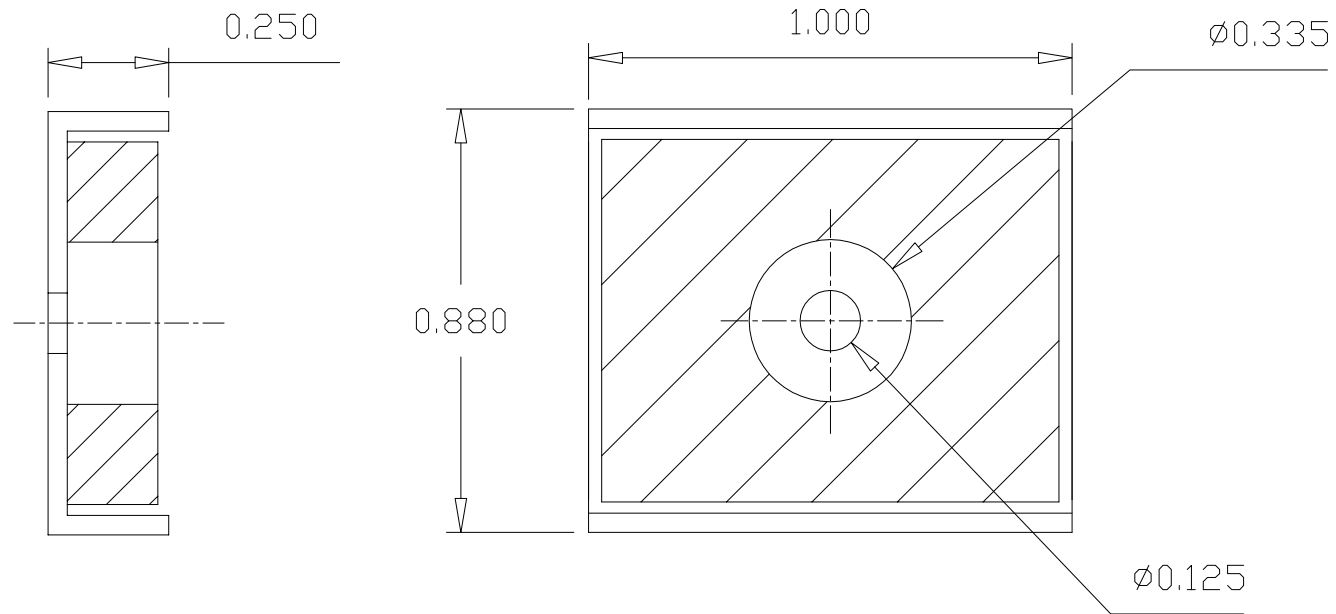


61ANZ002

Revision 2



Specifications:

- 1) Oriented NdFeB magnet with a hole
- 2) Zinc plated C.R. steel channel and magnet
- 3) Magnet and channel are glued
- 4) Pull pounds: 35 lbs typical. (Tested on a clean, ground steel plate 0.375" thick)
- 5) Temperature range: -40°C ~ 80°C
- 6) All dimensions are inches

ADAMIS
MAGNETIC PRODUCTS