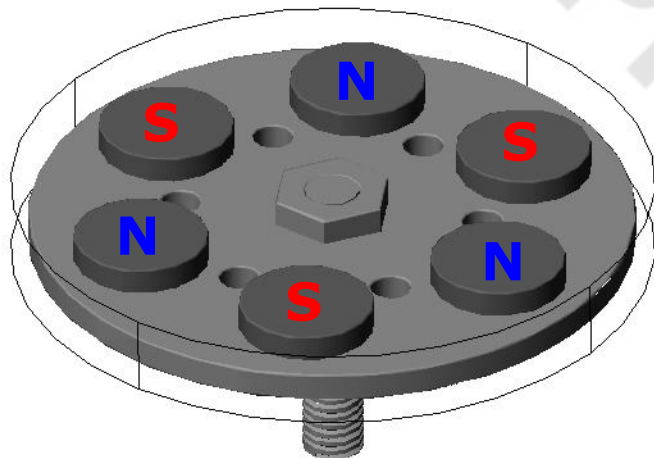
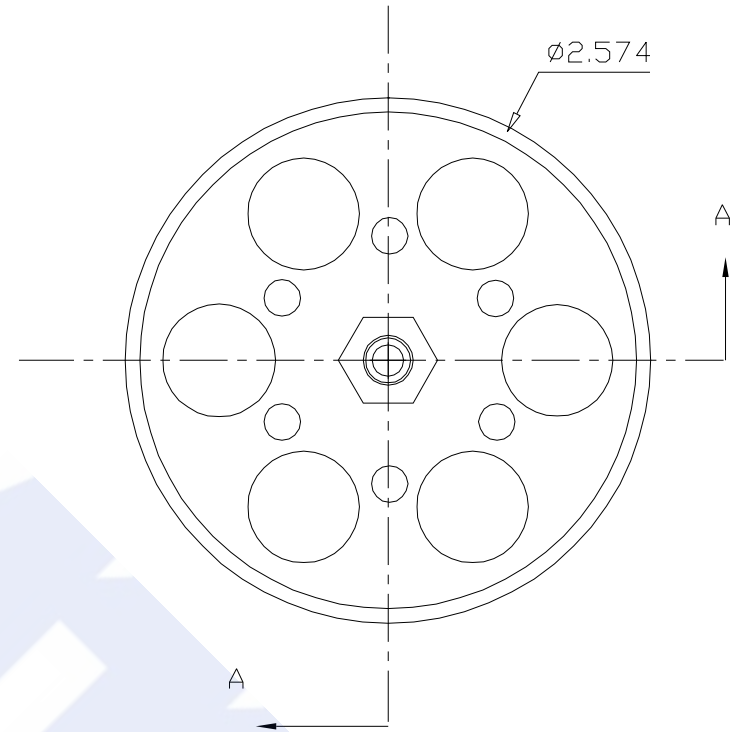
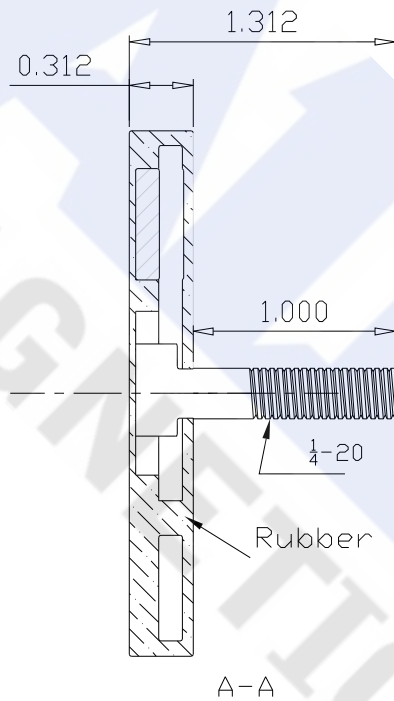


64RBM070

Revision 0



Specifications:

- 1) Rubber covered entire assembly
- 2) Commercial nickel plated steel disc
- 3) Neo magnet nickel coated
- 4) Pull pounds: 32 lbs min. (Tested on a clean, ground steel plate 0.375" thick)
- 5) Working temperature range: $-40^{\circ}\text{C} \sim 80^{\circ}\text{C}$
- 6) All dimensions are inches

ADAM'S
MAGNETIC PRODUCTS