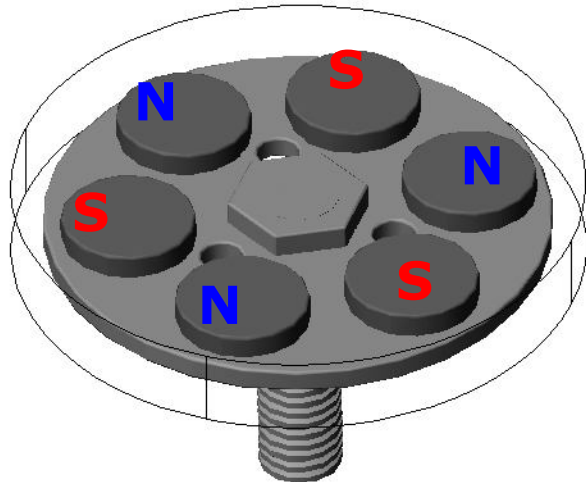
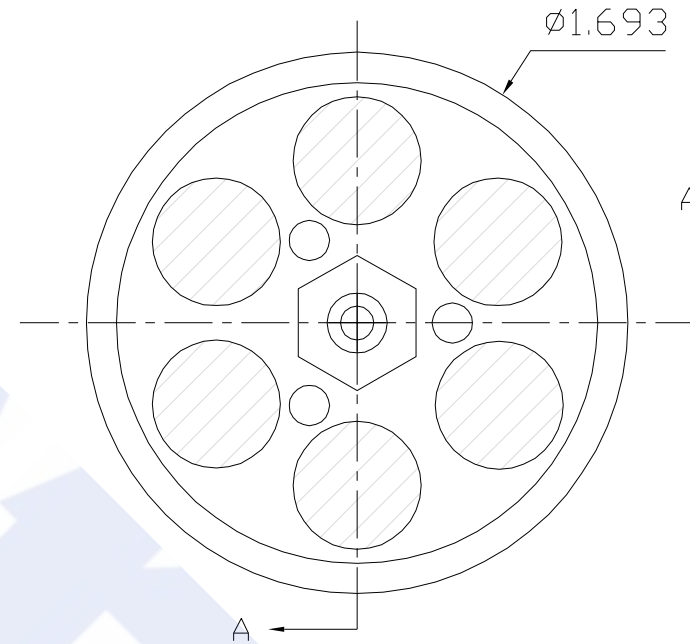
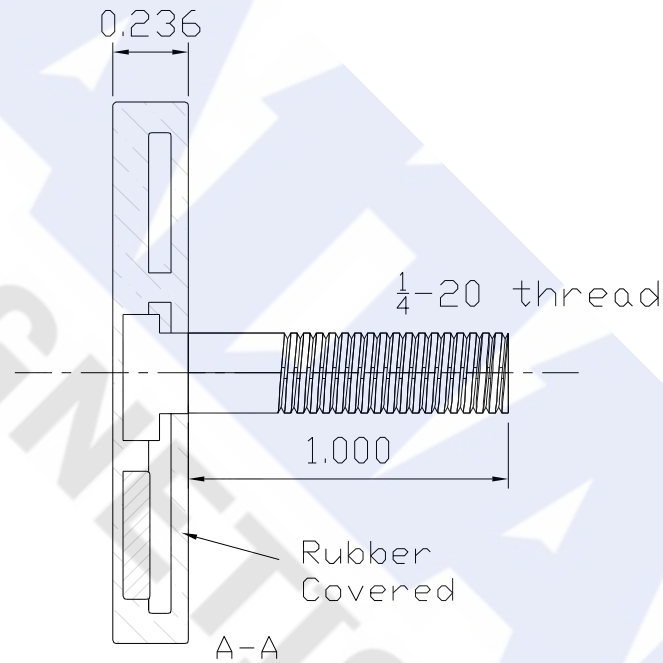


64RBM045

Revision 1



Specifications:

- 1) Entire assembly rubber covered
- 2) Commercial nickel plated steel and neo magnets
- 3) Pull pounds: 20 lbs min. (Tested on a clean, ground steel plate 0.375" thick)
- 4) Working temperature range: -40°C~80°C
- 5) All dimensions are inches