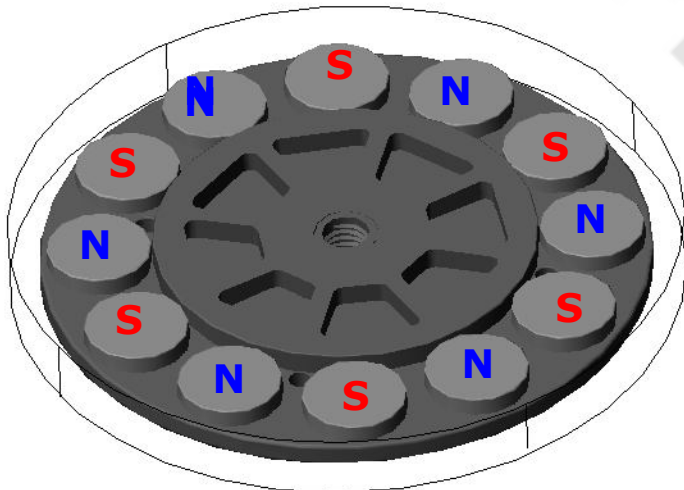
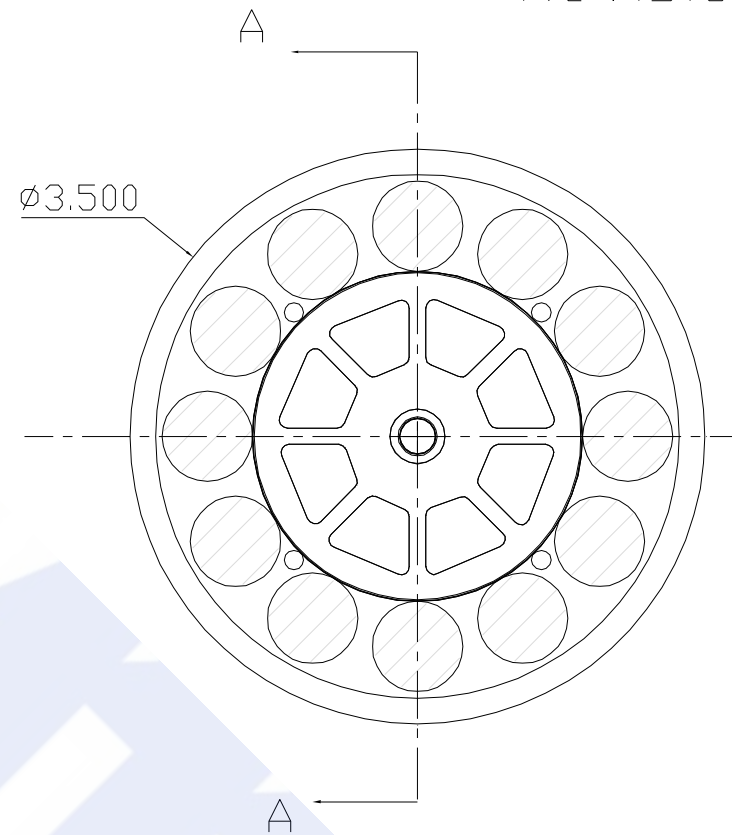
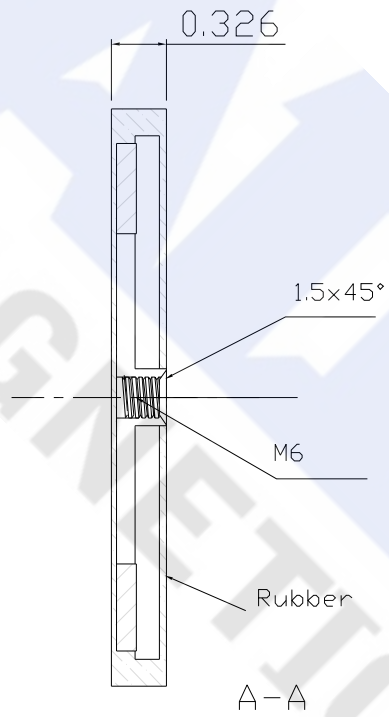


64RBF080

Revision 0



Specifications:

- 1) Rubber covered Neo magnets
- 2) Commercial nickel plated steel discs
- 3) Magnet nickel coated
- 4) Pull pounds: 105 lbs min. (Tested on a clean, ground steel plate 0.375" thick)
- 5) Working temperature range: -40°C~80°C
- 6) All dimensions are inches