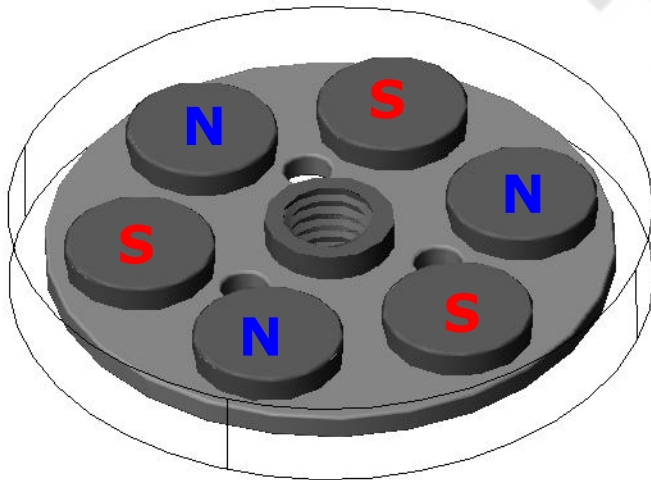
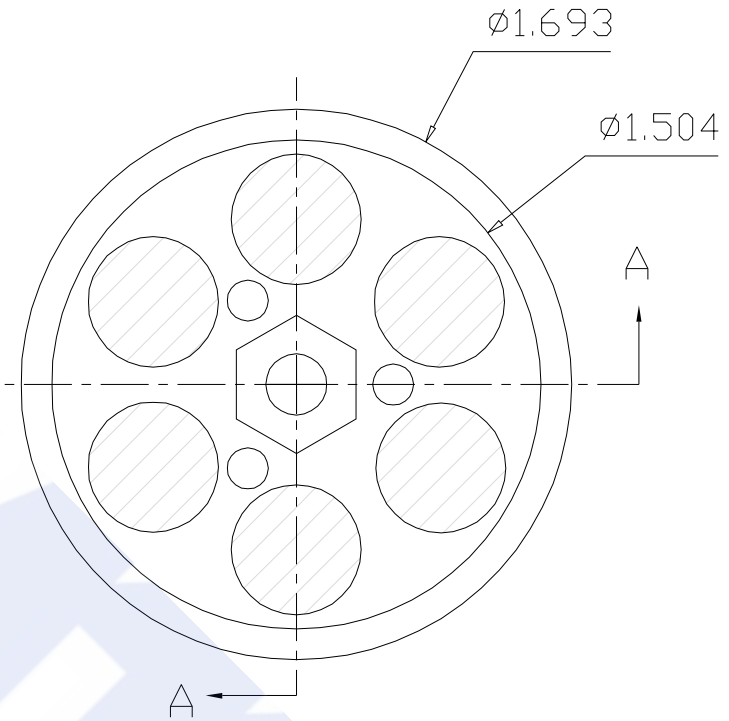
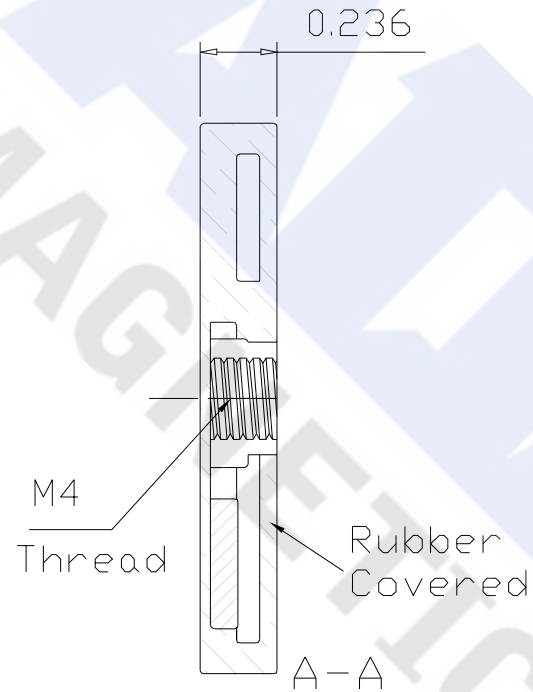


64RBF045

Revision 2



### Specifications:

- 1) Entire assembly rubber covered
- 2) Commercial nickel plated steel and neo magnets
- 3) Pull pounds: 20 lbs min. (Tested on a clean, ground steel plate 0.375" thick)
- 4) Working temperature range:  $-40^{\circ}\text{C} \sim 80^{\circ}\text{C}$
- 5) All dimensions are inches