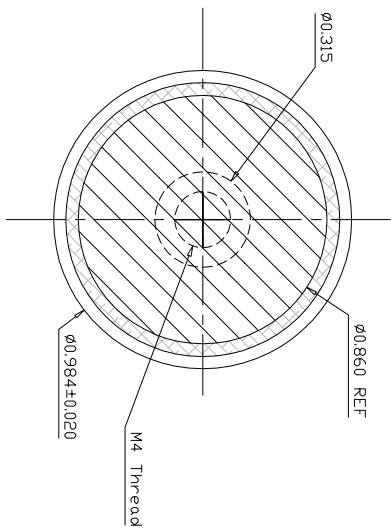
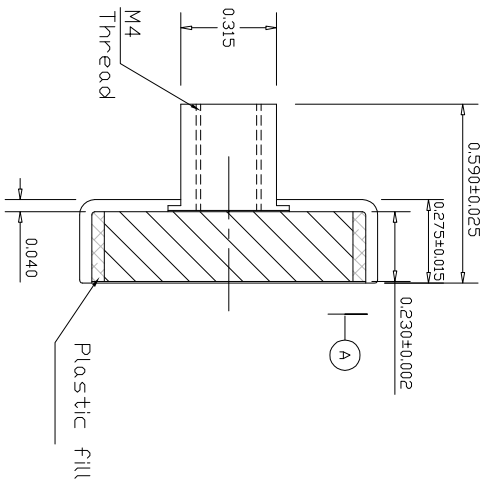
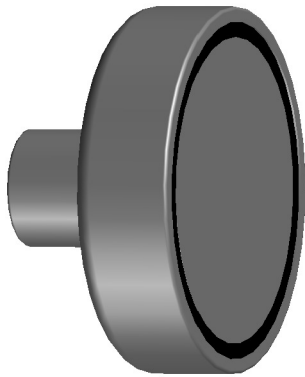


# 64PNN025



REVISIONS				
ZONE	REV	DESCRIPTION	DATE	APPROVED
	1	Edited dimensions	12/11/2014	
	2	REMOVED WHITE PAINT FROM NOTE B	2/3/15 DSJ	WER
2015-01-008				

## GENERAL NOTES

## SPECIFICATION

A	Magnet surface lower than cup 0.005"
B	Finish: Ni-Cu-Ni COATED
C	Pull of surface A not less than 9 lbs
D	Magnet is glued to the cup
E	Working temperature range:-40°C~80°C
F	
G	

**ADAMTIS**  
MAGNETIC PRODUCTS  
888 N.Larch Ave. Elmhurst, IL 60126

PRODUCT DESCRIPTION	MATERIAL
	CERAMIC-8
	STEEL CUP

TOLERANCES UNLESS OTHERWISE SPECIFIED	DATE DRAWN	CHECKED BY	PART NO.	SCALE	NOT TO SCALE	SHEET	REV
DECIMAL: 2 PLACES+/-0.015 3 PLACES+/-0.005	10-05-07		64PNN025			1/1	2
ALL EDGES BROKEN 0.025 MAX	A.J.	DATED/ISSUE					
ANGLES: +/-	Unit: INCH						