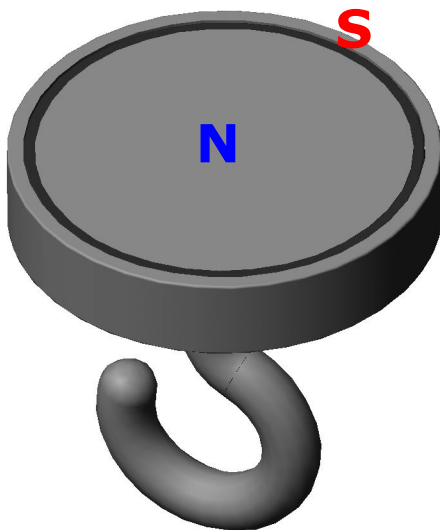
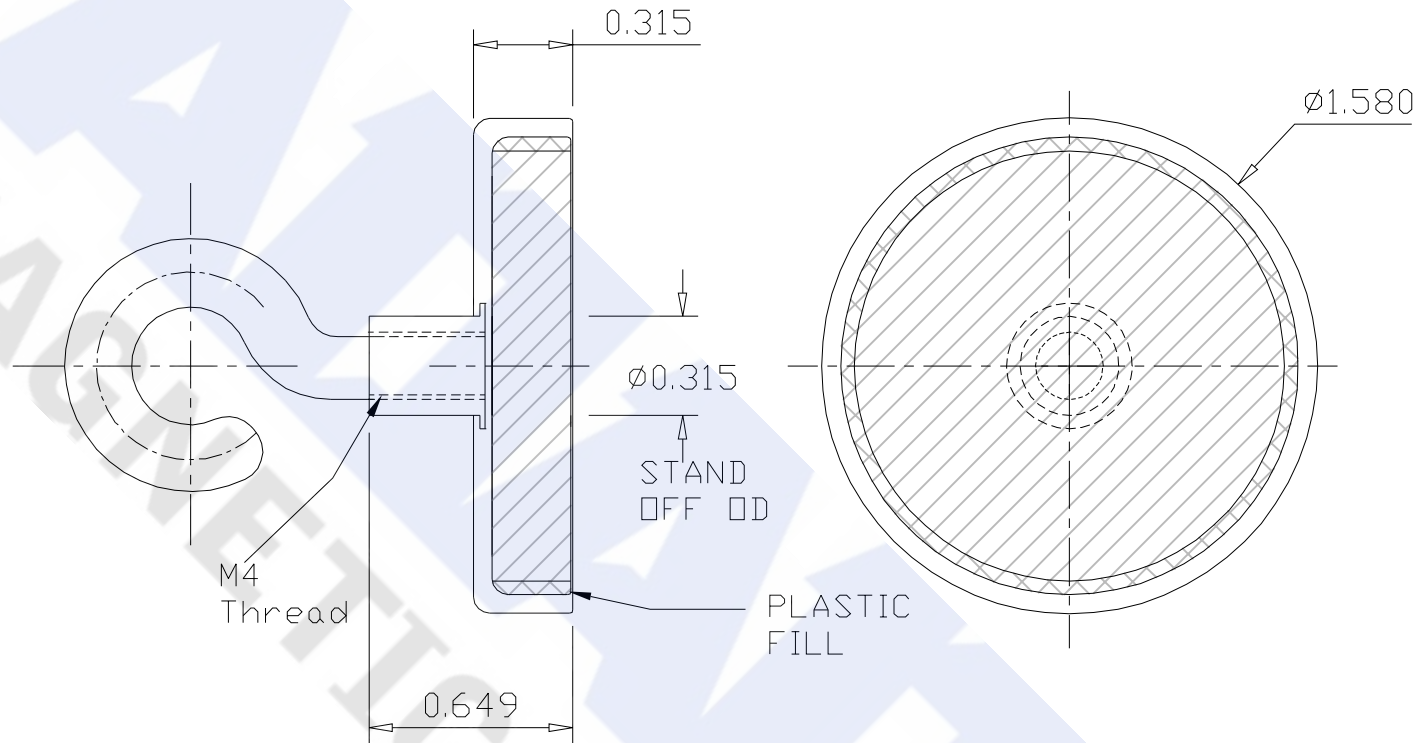


64PN0040

Revision 1



Specifications:

- 1) Ceramic-8 magnet disc
- 2) Nickel coated steel cup and hook
- 3) Magnet surface lower than that of cup $0.005''$
- 4) Pull pounds: min. 28 lbs (Tested on a clean, ground steel plate $0.375''$ thick)
- 5) All dimensions are in inches
- 6) Working temperature range: $-40^{\circ}\text{C} \sim 100^{\circ}\text{C}$