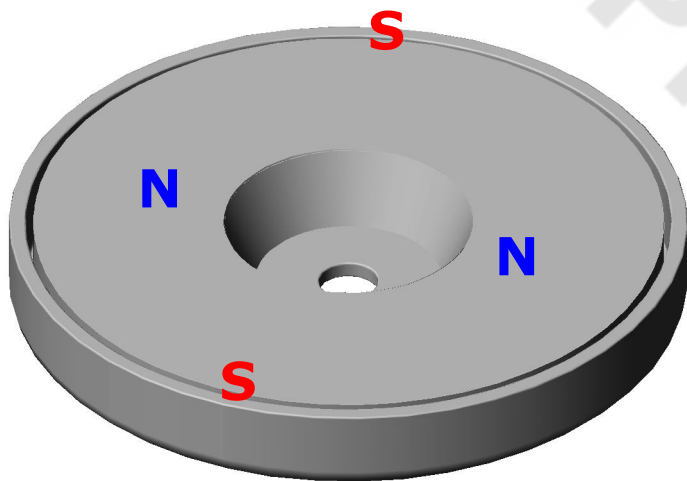
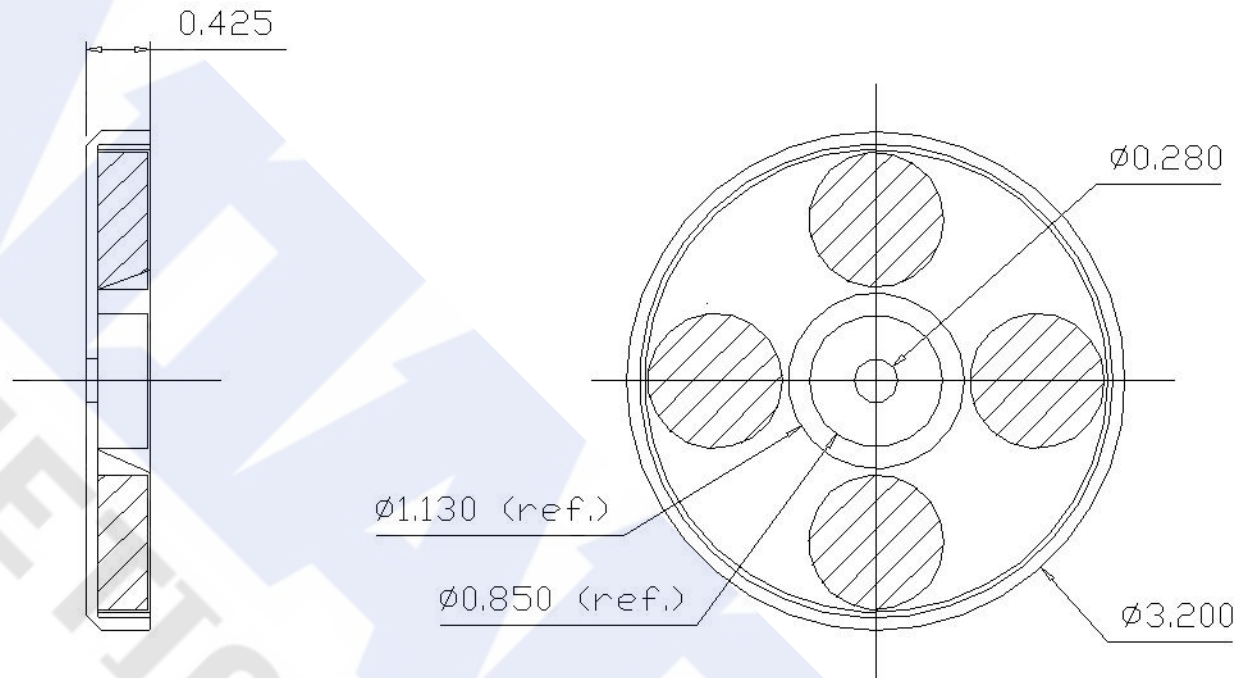


64HNC04



## Specifications:

- 1) Zinc coated Neo magnet disks
- 2) Copper-Nickel-Chrome coated steel cup
- 3) Magnet surface lower than that of cup 0.005"
- 4) Pull pounds: min. 195 lbs (Tested on a clean, ground steel plate 0.375" thick)
- 5) All dimensions are in inches
- 6) Working temperature range: -40°C~80°C