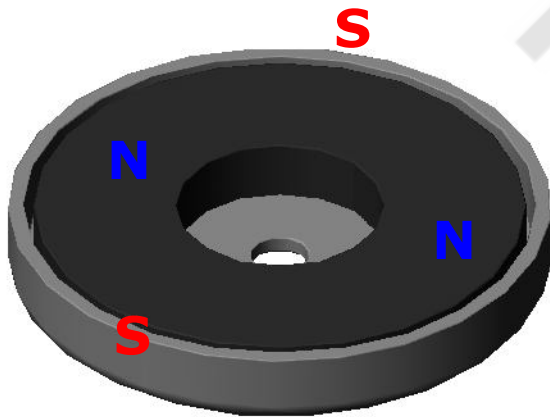
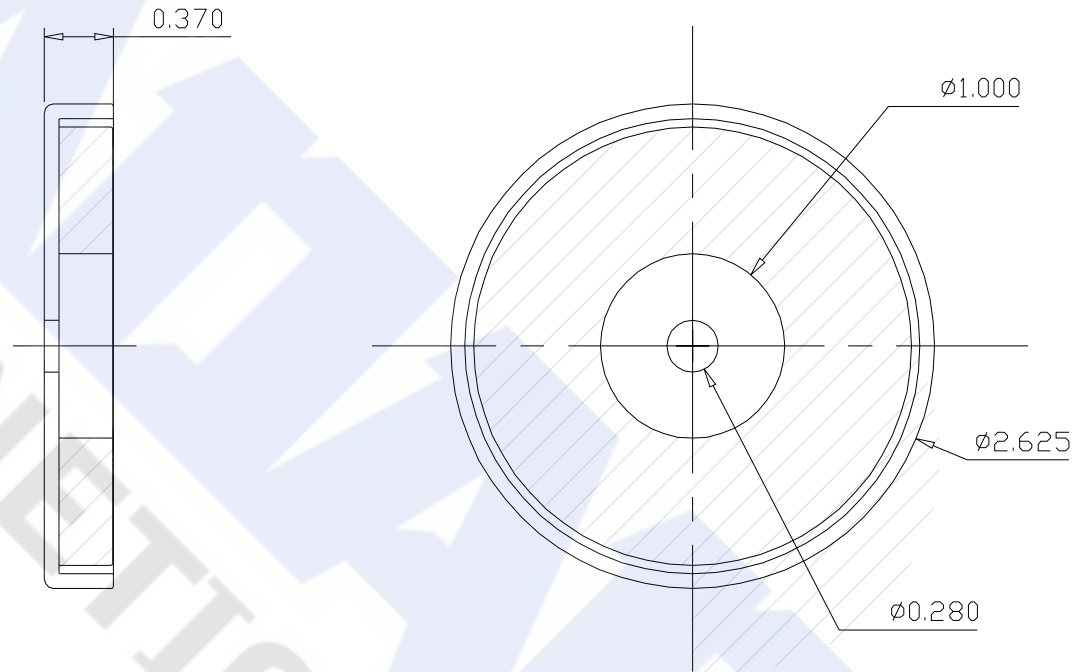


64F0002

Revision 2



Specifications:

- 1) Ceramic-5 magnetic ring
- 2) Chrome coated steel cup
- 3) Magnet surface lower than that of cup 0.005"
- 4) Pull pounds: 80 lbsmin. (Tested on a clean, ground steel plate 0.375" thick)
- 5) All dimensions are inches
- 6) Working temperature range: $-40^{\circ}\text{C} \sim 100^{\circ}\text{C}$

ADAMS
MAGNETIC PRODUCTS