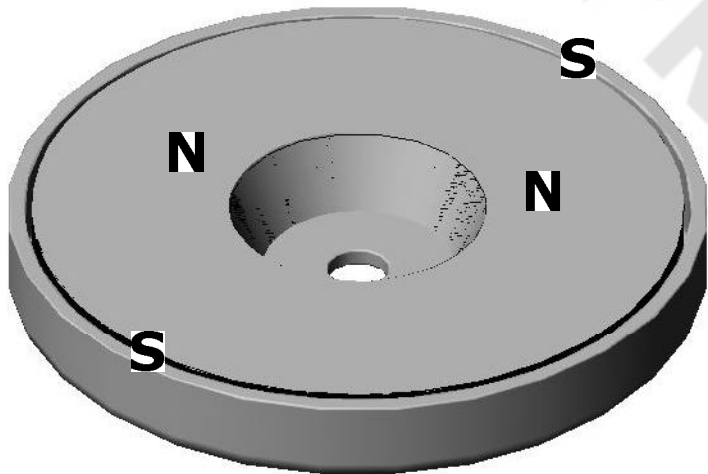
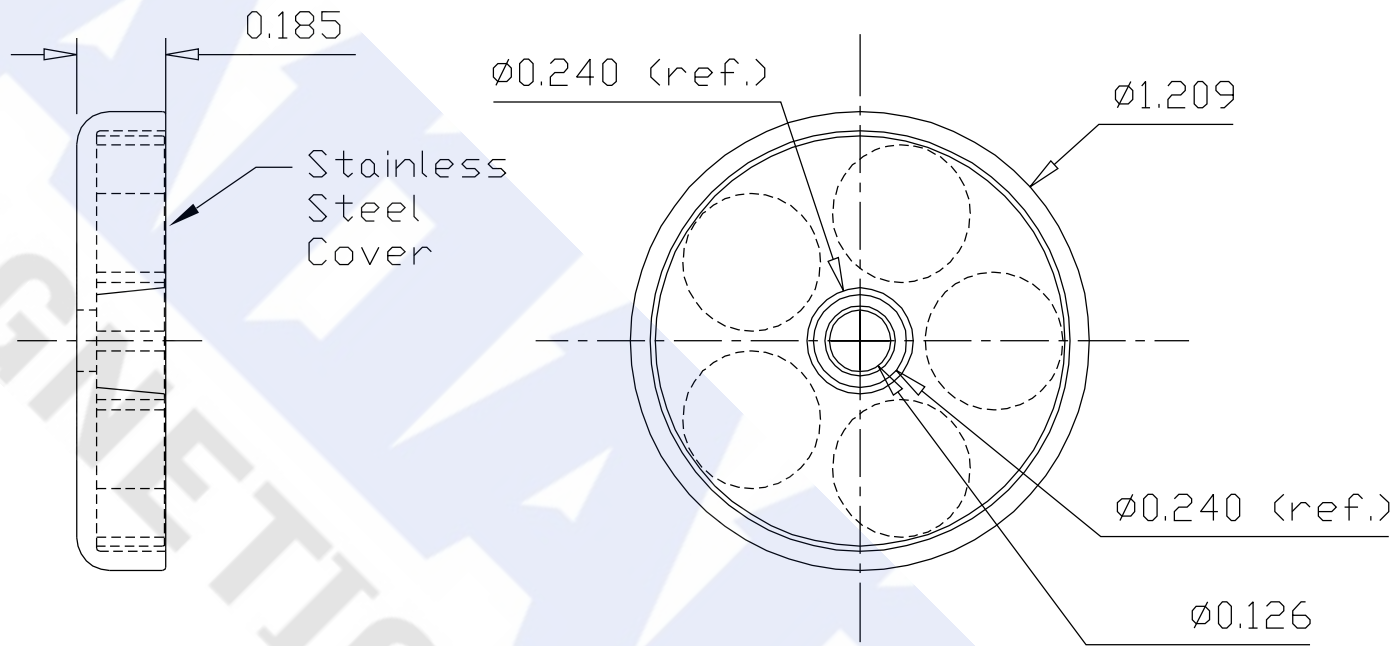


64ANC12

Revision 2



Specifications:

- 1) Zinc coated NdFeB magnet disks
- 2) Copper-Nickel-Chrome coated steel cup
- 3) S.S. steel cover
- 4) Pull pounds: 40 lbs min. (Tested on a clean, ground steel plate 0.375" thick)
- 5) All dimensions are in inches
- 6) Working temperature range: $-40^{\circ}\text{C}\sim 80^{\circ}\text{C}$