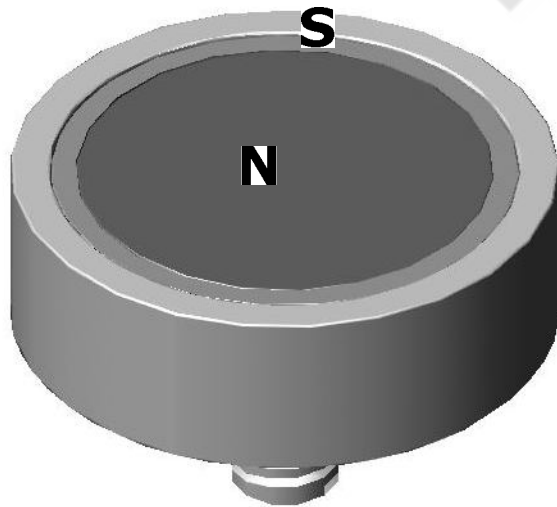
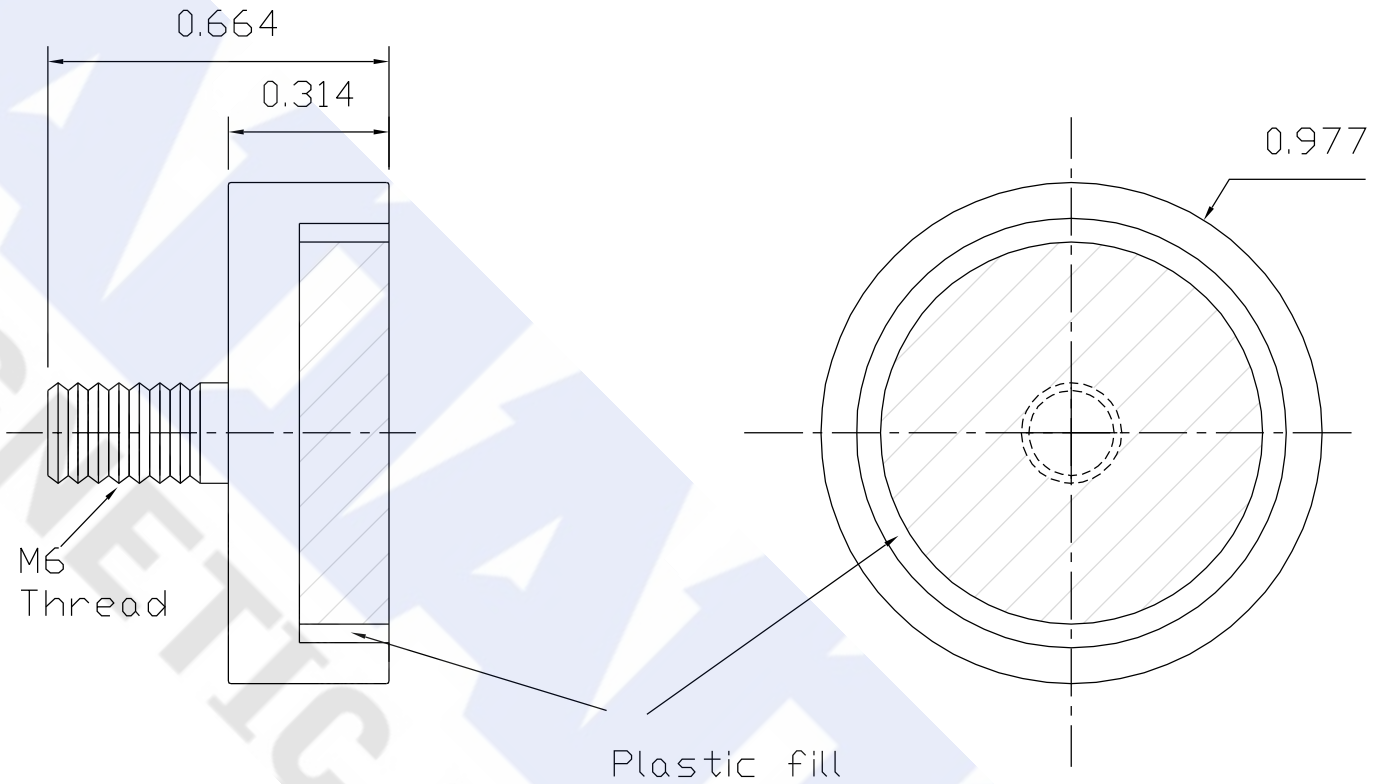


64AN001

Revision 1



Specifications:

- 1) Neo magnet
- 2) Nickel plated steel cup with M6 male stud
- 3) Magnets and cup are glued
- 4) Pull pounds: 48 lbs min. (Tested on a clean, ground steel plate 0.375" thick)
- 5) Working temperature range: -40°C~80°C
- 6) All dimensions are inches