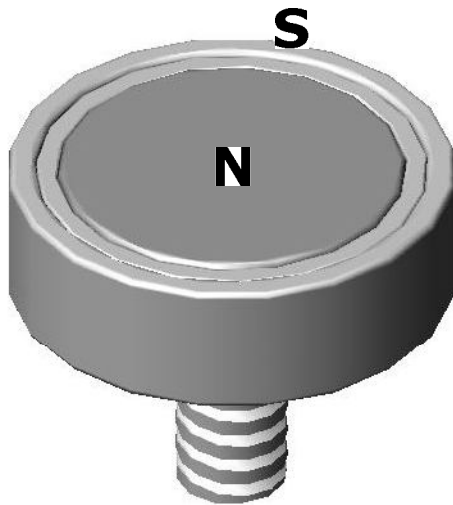
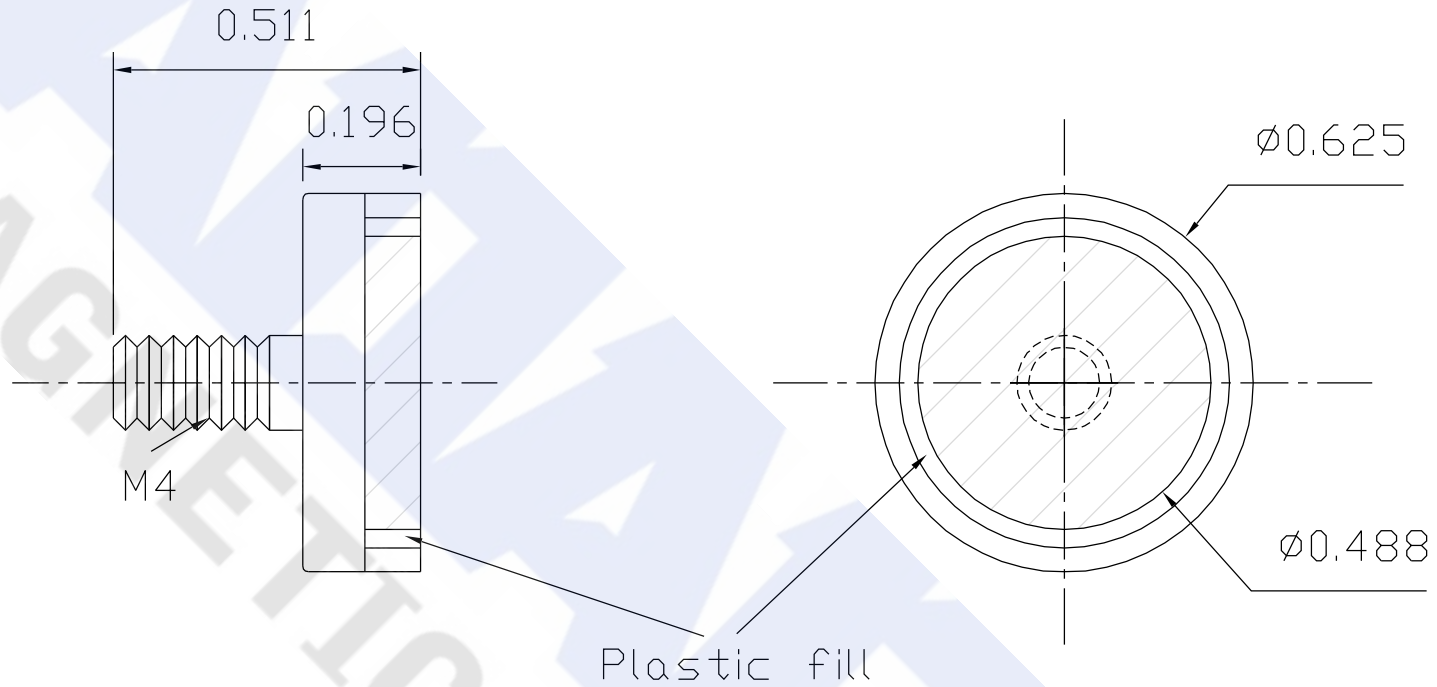


64AN000

Revision 0



#### Specifications:

- 1) NdFeB magnet
- 2) Nickel plated steel cup with M4 male stud
- 3) Magnets and cup are glued
- 4) Pull pounds: 12 lbs min. (Tested on a clean, ground steel plate 0375" thick)
- 5) Working temperature range:  $-40^{\circ}\text{C} \sim 80^{\circ}\text{C}$
- 6) All dimensions are inches