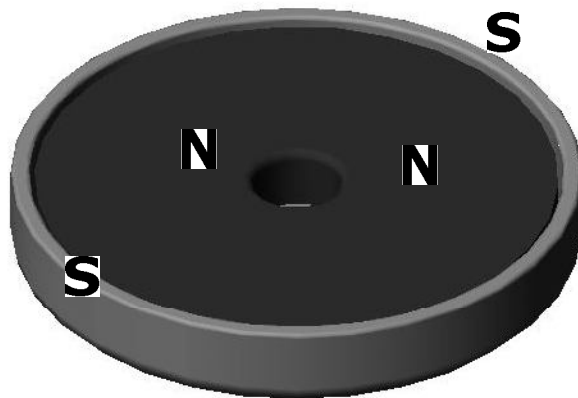
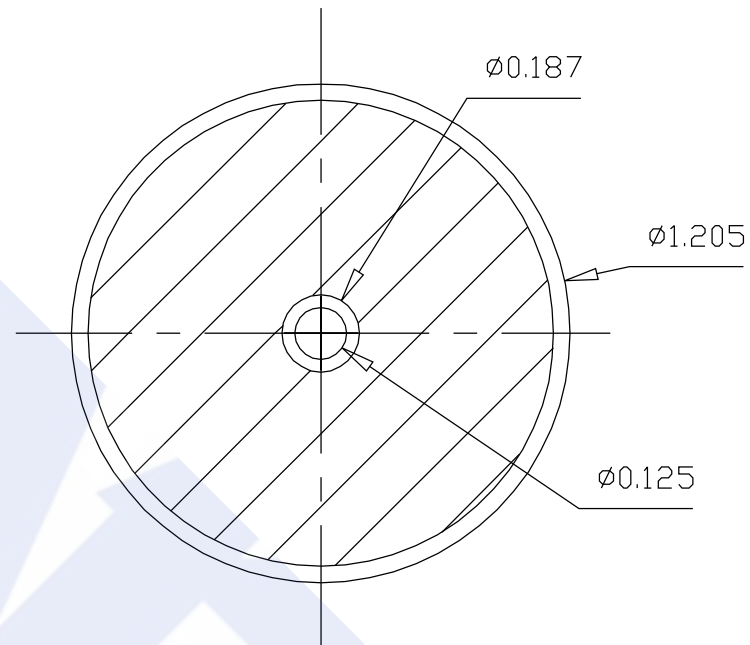
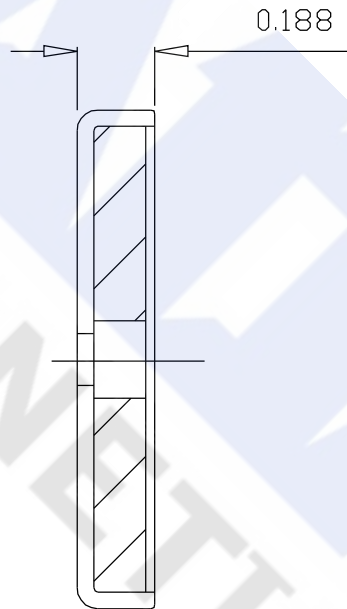


64A0001

Revision 0



Specifications:

- 1) Rubber ring magnet
- 2) Commercial nickel plated c.r. steel cup
- 3) Magnet surface lower than that of cup 0.005"
- 4) Pull pounds: 5 lbs min. (Tested on a clean, ground steel plate 0.375" thick)
- 5) Working temperature range: -40°C-100°C
- 6) All dimensions are inches