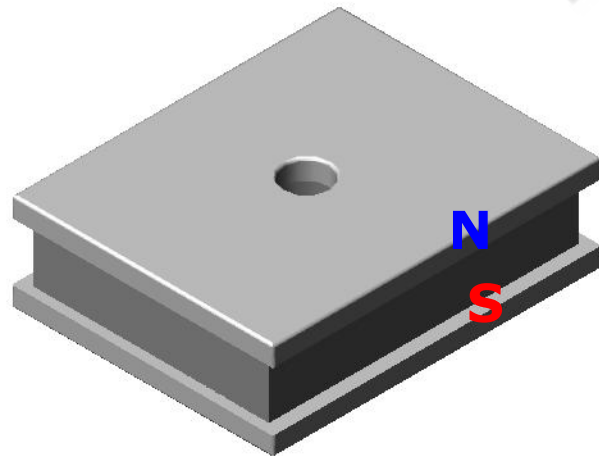
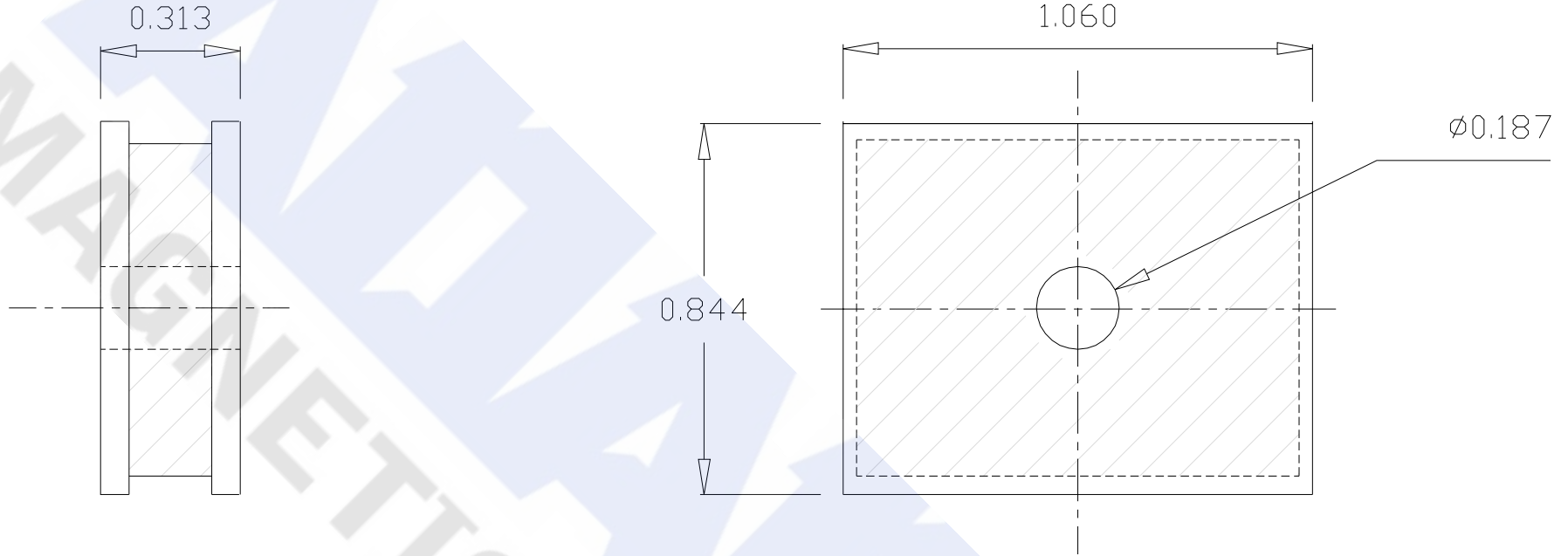


62CA0002

Revision 2



Specifications:

- 1) Ceramic magnet
- 2) Nickel plated C.R. steel plates
- 3) Magnet and plates are glued
- 4) Pull pounds: 16 lbs min. (Tested on a clean, ground steel plate 0.375" thick)
- 5) Working temperature range: $-40^{\circ}\text{C} \sim 100^{\circ}\text{C}$
- 6) All dimensions are inches