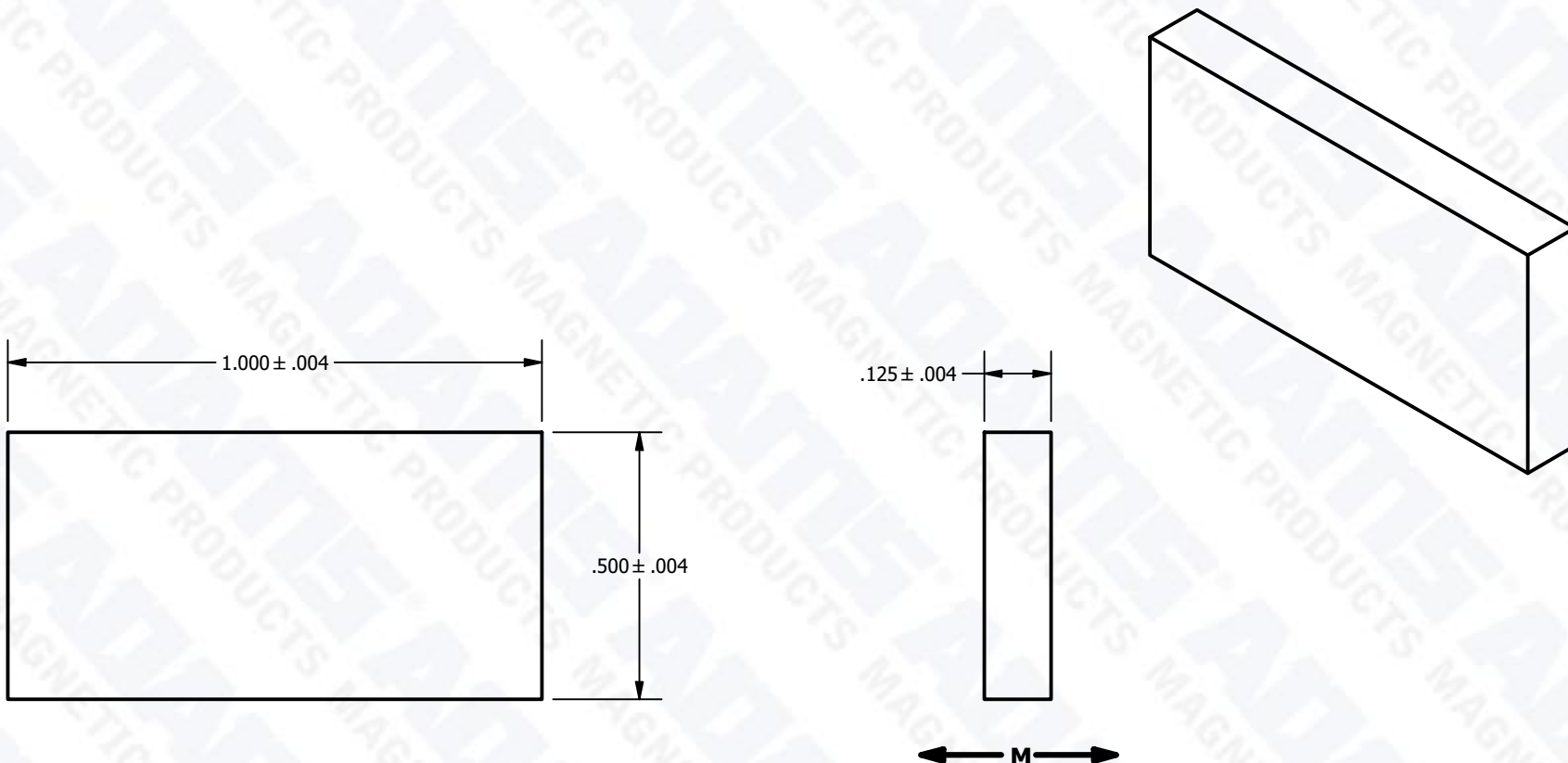


50C0864

SAFETY WARNING: Keep out of reach of children. Permanent magnets and magnet assemblies should be handled with extreme care, as misuse may result in pinching, crushing, or cutting injuries. Sharp high speed chips are often generated from impacting magnets creating a hazard to the eyes if left unprotected. To address many safety hazards involved in handling magnets appropriate PPE; such as safety glasses, gloves, safety shoes, etc, should always be worn when handling magnets. Aside from bodily injury, magnets may also adversely effect electronic devices. Magnets should always be kept at a safe distance from all electronic equipment, especially implanted medical devices such as pacemakers and CSF shunt valves. For more information on magnet safety please refer to our website adamsmagnetic.com.



NOTES:

1. MATERIAL: RARE EARTH NEODYMIUM IRON BORON (NdFeB)
 2. GRADE: 5211(N)
 3. COATING / PLATING: Ni-Cu-Ni PLATED
 4. WEIGHT (lbs): 0.01706
 5. SHAPE: BLOCK
 6. MAGNETIZATION: THRU THICKNESS
 7. RESIDUAL INDUCTION, Br (kG): 14.3 MIN.
 8. COERCIVITY, Hc (kOe): 10.5 MIN.
 9. INTRINSIC COERCIVITY, Hci (kOe): 11.0 MIN.
 10. MAXIMUM ENERGY PRODUCT, BHmax (MGOe): 52.0 NOM.
- APPROXIMATE HOLDING FORCE (lbs): 12.80

<ul style="list-style-type: none"> • UNLESS OTHERWISE SPECIFIED DIMENSIONS ARE IN INCHES • UNLESS OTHERWISE SPECIFIED ALL DIMENSIONS ARE AFTER PLATING • HOLDING FORCE VALUES, IF LISTED, ARE APPROXIMATE VALUES OBTAINED UNDER LABORATORY CONDITIONS OR THROUGH SOFTWARE MODELING. PART SIZE, SHAPE, MATERIAL, AND A NUMBER OF OTHER VARIABLES MAY SIGNIFICANTLY ALTER YOUR RESULTS. 	ADAMS[®]		Adams Magnetic Products		Web: adamsmagnetic.com
	MAGNETIC PRODUCTS		888 Larch Avenue		Email: info@adamsmagnetic.com
			Elmhurst, IL 60126		Toll Free: 800-747-7543
					Phone: 630-617-8880
APPROVAL	NAME	DATE	PART DESCRIPTION: NEO BLOCK		
DRAWN	B.Tucker	11/15/21	PART NUMBER: 50C0864		
CHECKED	M.Devine	11/15/21	Rev -		
ISSUED	B.Tucker	11/15/21			

PROPRIETARY AND CONFIDENTIAL
THE INFORMATION CONTAINED IN THIS DRAWING IS THE SOLE PROPERTY OF ADAMS MAGNETIC PRODUCTS. ANY REPRODUCTION IN PART OR AS A WHOLE WITHOUT THE WRITTEN PERMISSION OF ADAMS MAGNETIC PRODUCTS IS PROHIBITED

MATERIAL:
NEO 5211

FINISH:
Ni-Cu-Ni



DO NOT SCALE
SIZE A
Sheet 1 of 1